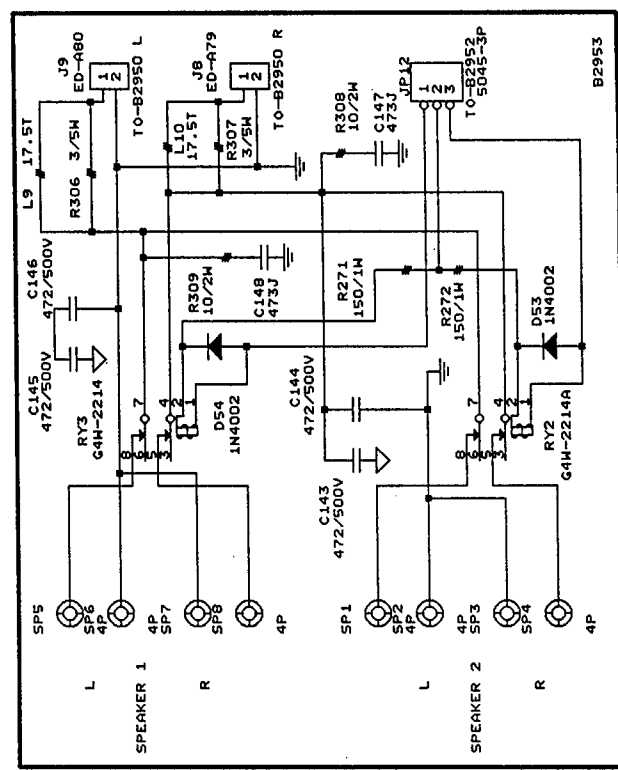
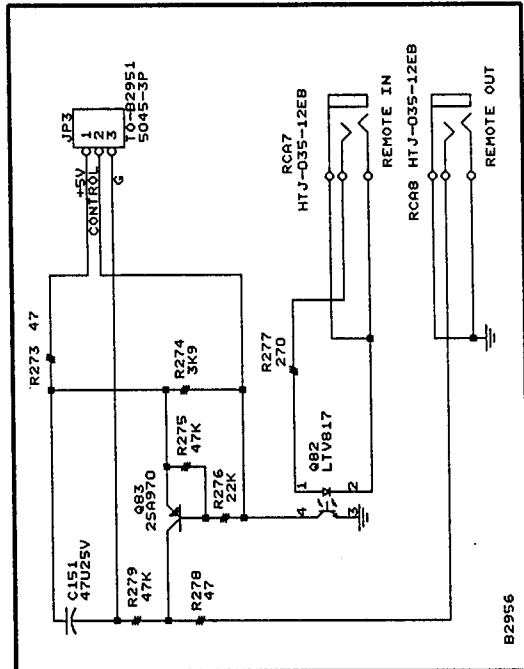
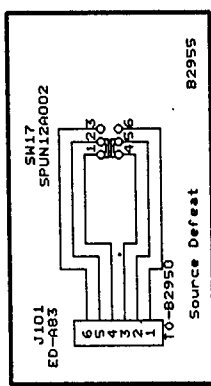
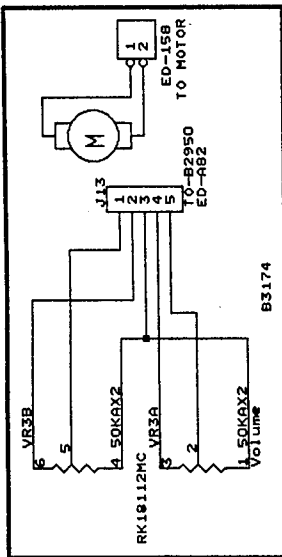
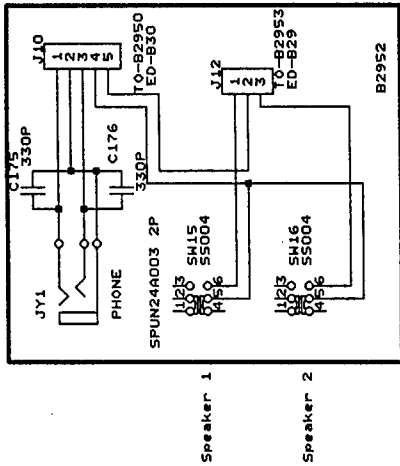
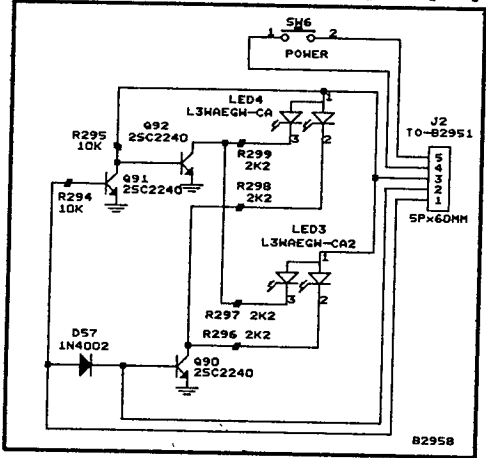
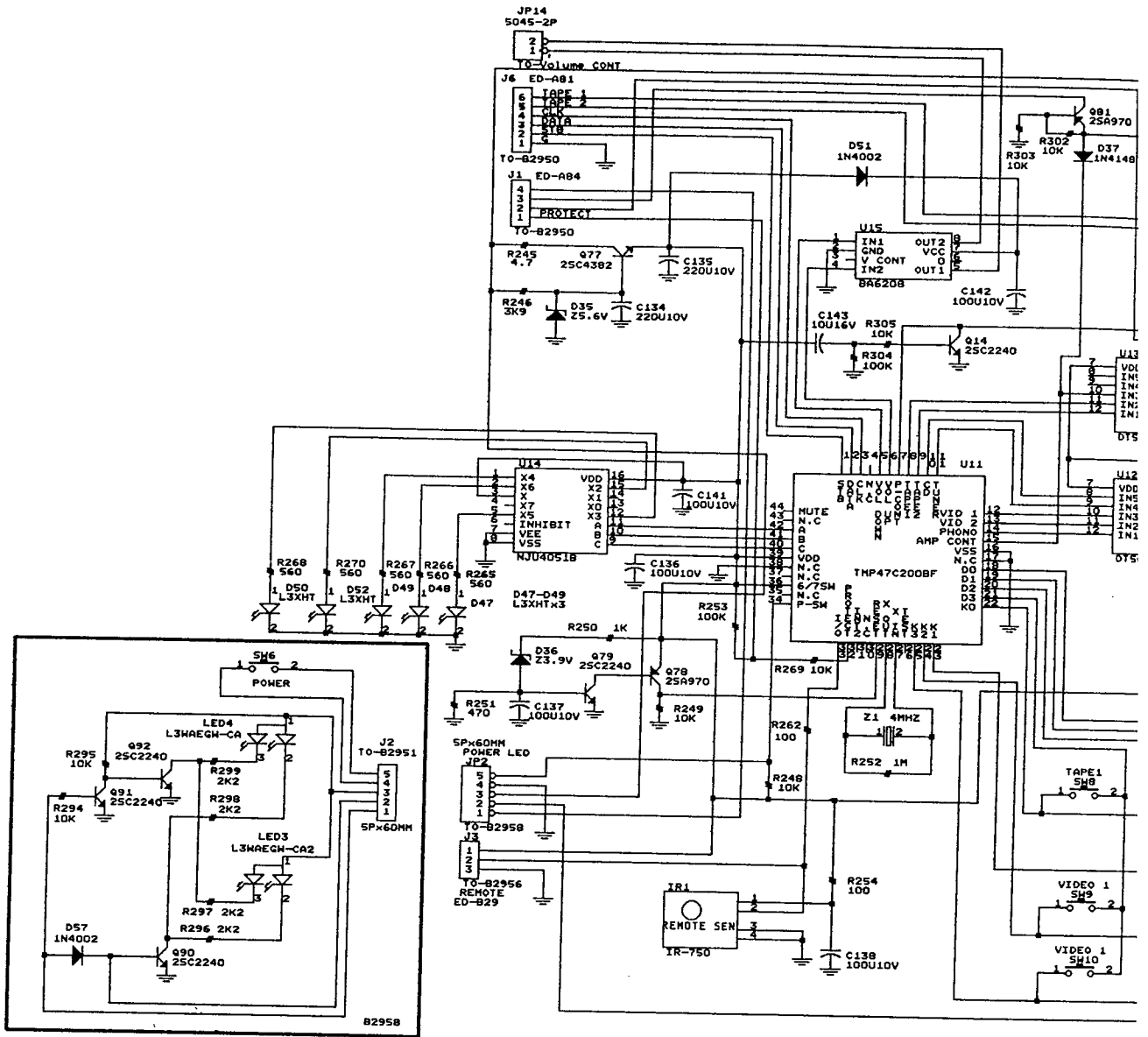


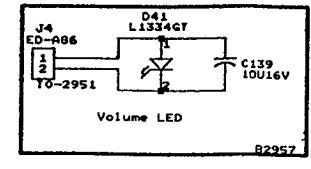
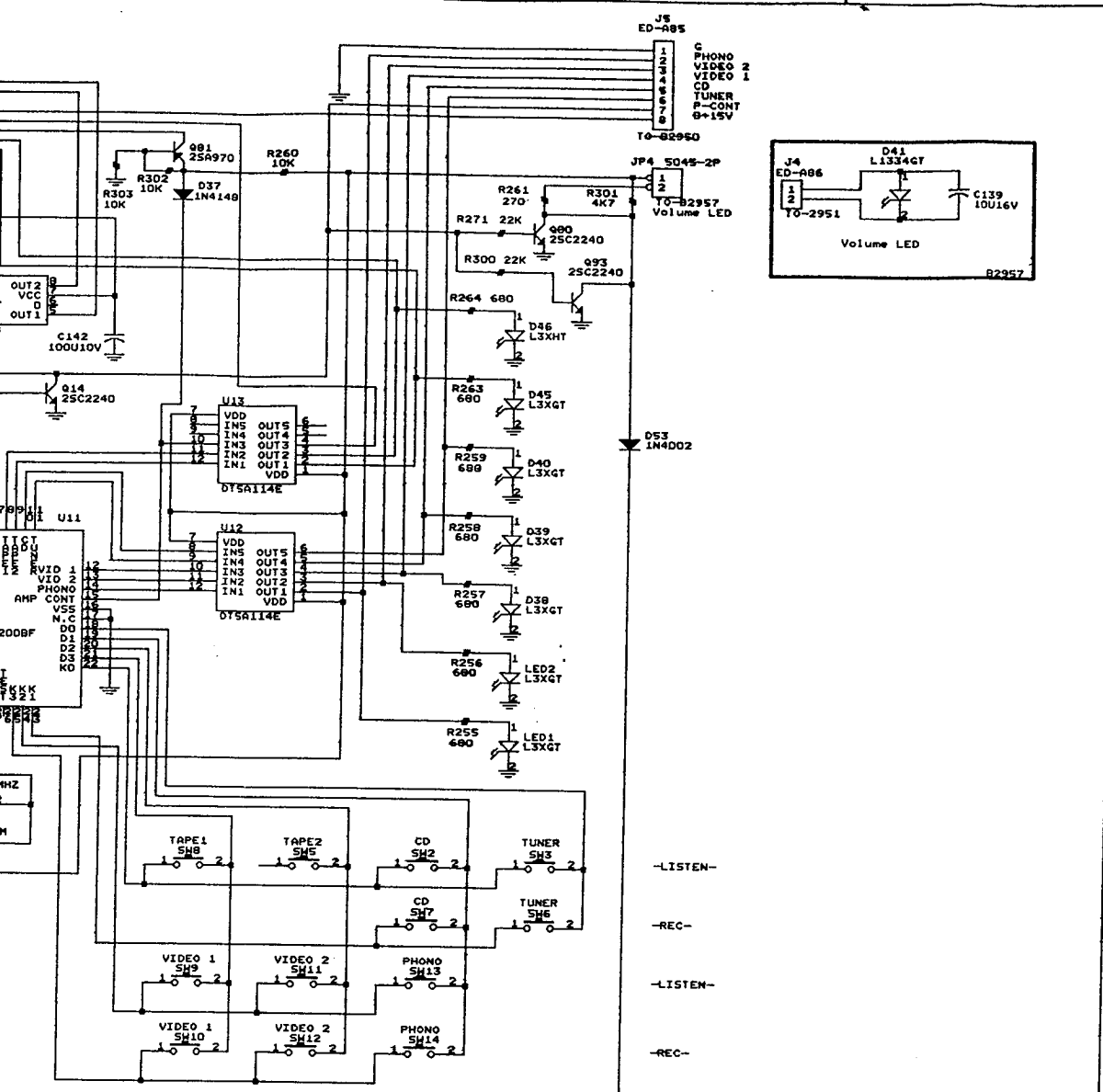
MODEL : HK690

HANGINE ELECTRONICS CO., LTD.

Size	Document Number	REV
A3	69RENOTE.SCH	
Date:	September 10, 1998	Sheet of







-LISTEN-  
 -REC-  
 -LISTEN-  
 -REC-

MODEL : HK690

HANGINE ELECTRONICS CO., LTD.	
Size	Document Number
A2	B2951.SCH
Date: September 10, 1998	Sheet 3 of 4

